



FEDERATION INTERNATIONALE DE TIR AUX ARMES SPORTIVES DE CHASSE

10, rue Médéric - 75017 PARIS FRANCE Phone : (33) 1 42 93 40 53 Fax : (33) 1 42 93 58 22
e-mail : fitasc@fitasc.com / Site: <http://www.fitasc.com>

INTERNATIONAL RULES HELICES

01/01/2018

INTERNATIONAL RULES - HELICES

In case of controversial interpretation of the present regulation, the text written in French will make faith.

The present regulation is obligatory during all national and international competitions.

Any person participating to the shooting is supposed to know perfectly the regulation and to submit without reserve to all dispositions and consequences that may result of it.

1 SHOOTING FACILITIES

ARTICLE 1.1

The helices shooting stand has to be located on a flat field. The general orientation of the stand will be the NORTH or the NORTH EAST and will be represented by an axis going through shooting stand and the machine number three.

- Five (5) machines will have to be positioned 4.50 m minimum and 5.00 m maximum away from each other.
- seven (7) machines will have to be positioned 2.25 m minimum and 2,50 m maximum away from each other, both extra machines being positioned equidistant between machines 2 and 3, then between machines 3 and 4.
- Nine (9) machines will have to be positioned 2.25 m minimum and 2.50 m maximum away from each other, the 4 extra machines being positioned equidistant between machines 1 and 2, between machines 2 and 3, between machines 3 and 4, then between machines 4 and 5.

The stand has to be enclosed by a rigid barrier from 0.60 m to 0.80 m maximum height, whose lattice will be squeezed enough to never leave the passage of the white part of the helice - the distance between the starting point of helices and the barrier has to be 21 meters maximum.

For all the new helices stands, the distance included between the barrier and the departure point of the helices could not be less than 21 meters.

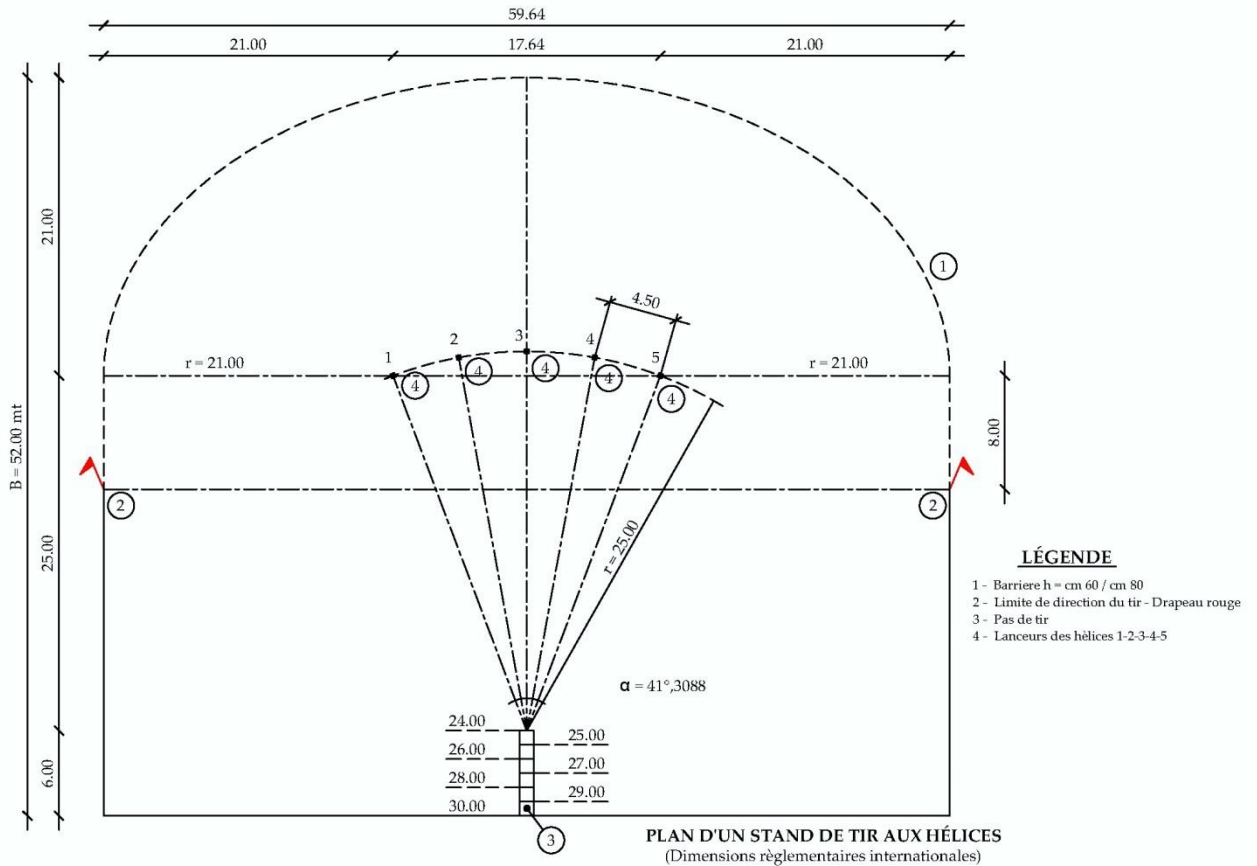
The shooting stand is graduated from 24 to 30 m minimum.

ARTICLE 1.2

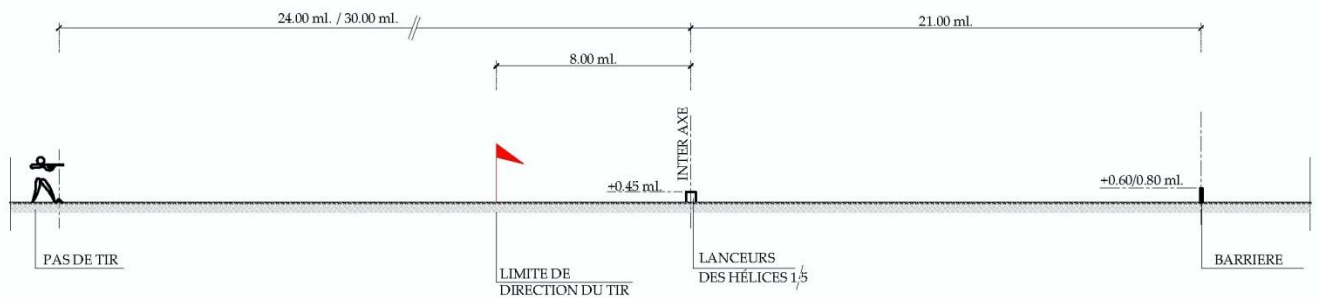
They have to be supplied at the end of the axis of the carrier rotor with a launching slope called "BEC".

The speed of the motor principal, porter of the helice, must be able to be ruled in a progressive manner from zero to 10.000 (rotation/minute).

HELICES SHOOTING LAYOUT (International regulation sizes)



SECTION D'UN STAND DE TIR AUX HÉLICES (Dimensions règlementaires internationales)



ARTICLE 1.3

Characteristics of the helices will have to be following:

Size:

- scale of the helice carrier +/- 28 cm
- diameter of the White part +/-10,4 cm

Weight:

- total of the helice: +/- 70 grams
- the white part : +/- 35 grams
- the helice in substance may have 2 to 5 blades.

Substance: The helice in substance very friable to the impact (polystyrene)
The white part not friable to the impact (minimum 50 % of polyethylene)

System of fastener: Has to be made by collision of the white part on the helice

Color:

- color of the helice carrier: orange or red
- color of the witness: white

Upon decision of the Helice technical commission, the helice carrier or the witness can be of any different color that would make it more visible. In any case, during a championship, will be used only one colour for the helice carrier and only one for the witness.

PICTURE OF AN HELICE FRONT AND BACK



2 ORGANIZATION OF A COMPETITION

ARTICLE 2.1

Two types of organization coexist:

- competition organized with a number set in advance of eliminatory 'zero',
- and competition organized with a fixed number of helices to be shot by each competitor.

The international championships will be shot, with no elimination, with the fixed number of helices as follows: 20 helices at Grand Prix / 30 helices at continental and world championships.

ARTICLE 2.2

The entry fee will include:

- the fee allocated to the expenses of the club,
- the total number of helices shot by a participant in the championship, as well as the helices for shoot-off;
- the Fitasc shooter's fee.

The federation applying to organize an international competition will be allowed, if wished so, to include in its program cash prizes, whose guaranteed amounts will be set by the federation in agreement with the organizing club.

When cash prizes have been authorized by the organizing federation and in agreement with the organizing club, they cannot be funded neither by shooters' entry fees nor by the organizing club. They will have to be strictly and exclusively funded by sponsoring operations.

ARTICLE 2.3

Jury

The championships will be overseen by a jury:

- chaired by the Chairman of the organizing national federation or his/her representative;
- formed by the chief referee, the attending members of the Fitasc Management Committee and of the Helice technical commission, as well as a representative from each country entering a senior national team.

The jury will settle any disputes arising during the competition regarding the organization of the shoot and of the shooters.

The President of the technical Commission is not member of the jury but attends all meeting and take part to the debates.

The coordinator of the championship between the jury and the management is the President of the technical Commission or his/her delegate.

He is responsible for enforcing the decisions made by the jury. The jury will decide, among other things, if the match of nations takes place during the championship or after on a separate

trial, depending on the number of entrant shooters. The organization of the shoot-off will be defined by the jury.

On each championship, the jury shall fix between 1 and 4 maximum the number of helices shot by each competitor on each installation and without any machine reloading.

The jury will take into account:

- the number of days of the championship,
- the number of participants,
- the total number of helices shot by a participants,
- the daily shooting duration.

Appeal Jury

If a jury decision is disputed by a shooter or by the FITASC, an appeal jury will be formed by:

- the Chairman of the Fitasc or his/her representative;
- the Chairman of the technical commission or his/her representative;
- the Chairman of the affiliated federation or his/her representative.

This appeal jury will be created at the same time as the jury. No jury member may belong to the appeal jury under any circumstances.

ARTICLE 2.4

Only official FITASC referees will be entitled to judge an international championship. A shooter taking part in the competition cannot referee except in cases of force majeure and with the agreement of the competition jury.

The shooting manager, appointed by the helices technical commission, is responsible of the good application of the international regulation.

Complaints of shooters will have to be presented to the international commission of helices shooting, on paper and to pay 60€ (or equivalent) as security that will be returned if the complaint is judged based.

The F.I.T.A.S.C. reserves the right to bring to the present regulation the modification that it will judge necessary.

ARTICLE 2.5

Competition participants must be properly dressed. Short shorts are not permitted; only long shorts (Bermuda type at most 5 cm above the knee) are permitted. It is not permissible to be naked under a skeet vest. Shirts must have at least short sleeves and a collar or, without a collar, must have a round neck (like a tee shirt). Wearing sandals is not permitted for safety reasons.

The shooter's competitors number must be attached to his/her upper back between shoulders and waist, be fully visible and worn in its entirety. Failure to observe this rule is penalized by a first warning from the referee. Failure to rectify this requirement will lead to further penalties that may extend to exclusion from the competition by decision of the jury.

At the closing ceremony, all the awarded shooters shall attend the prize giving, either in the attire of their National team, or wearing a pair of pressed trousers & blazer.

Hearing protection

Hearing protection is compulsory for all shooters, referees, staff and members of the public on or in the proximity of a layout. Any shooter on a stand without hearing protection is considered absent. In all circumstances outside the clubhouse, children present on a range must wear hearing protection.

Safety glasses

Safety glasses are compulsory, without any exceptions, for all shooters, referees, staff and anyone else in the immediate vicinity of a stand. Any shooter on a stand not wearing safety glasses is considered absent.

On the shooting position or in the areas nearby, a shooter cannot have with him (her) electric or electronic equipment such as mobile phones, likely to bother the competitors.

ARTICLE 2.6

The shooting manager, assisted by the attending members of the technical Commission, will adjust the speed of machines before the beginning of the event. This speed should never be changed before the end of an event or at least before the end of a complete "tour", so far that participants have been informed.

ARTICLE 2.7

The number of helices shot is set by the jury:

- During competitions or championships organized with 5 machines, the shooter will have to shoot between 1 and 4 helices without leaving the shooting stand.
- During competitions or championships organized with 7 machines, the shooter will have to shoot between 1 and 6 helices without leaving the shooting stand.
- During competitions or championships organized with 9 machines, the shooter will have to shoot between 1 and 8 helices without leaving the shooting stand.

Of course the electronic system of the control box will have to allow the selection of machine opening.

ARTICLE 2.8

In the competition, a special shooting position for testing weapons must be installed near the clubhouse.

ARTICLE 2.9

The age limitations of categories in force are:

- Juniors are authorized to take part in championships held under the auspices of the Fitasc from 13 years of age except in the case of a special waiver.
Juniors become seniors from the start of the year when they reach their 21st birthday.
- Seniors become veterans from the start of the year when they reach their 56th birthday.
- Veterans become super-veterans from the start of the year when they reach their 66th birthday.

ARTICLE 2.10

The scores of individuals and of team members are input according to the shooting order, thus from 1st round to the last round.

Individual shoot-off

Grand Prix

For the first three places and for all categories: elimination at first zero.

Continental Championship

For the first three places and for all categories:

5 helices without elimination (2+2+1).

In case of new tie:

- If the tied shooters are 2, one helice at a time,
- If the tied shooters are more than 2, 2 helices at a time, elimination at first zero.

World Championship

1/ For the first three places and the category OPEN:

10 helices without elimination (2+2+2+2+2).

In case of new tie:

- If the tied shooters are 2, one helice at a time,
- If the tied shooters are more than 2, 2 helices at a time, elimination at first zero.

2/ For the first three places and for all OTHER categories:

5 helices without elimination (2+2+1).

In case of new tie:

- If the tied shooters are 2, one helice at a time,
- If the tied shooters are more than 2, 2 helices at a time, elimination at first zero.

Where the top three in the open ranking are in the same category, the ranking shoot-off in the category will also determine the open ranking. If they are in different categories, a shoot-off will be held under the same condition as for the category ranking.

Below the third place in the ranking and concerning the tied shooters to be awarded, the tie will be broken by taking the score on the 8th round, then in case still tied, by counting back from the 7th, 6th, 5th, 4th, 3rd, 2nd, 1st round.

Tied shooters without award will be ranked as equals.

ARTICLE 2.11

Only shooters taking part to the continental or world championship may be member of their National team at the Match of National Teams.

Team Shoot-Off

In the case of teams tying, the ranking is done by taking the overall score of the team and by counting back from the last round.

ARTICLE 2.12

The organizing club will offer prize awards formed by trophies, if possible in silver or silvered, but in any case it will guarantee high-quality prizes.

3 REFEREEING

ARTICLE 3.1

The caliber 12 is the largest gauge authorized, no advantage is offered to smaller calibers. Any use of micro camera mounted on shotgun is banned.

The authorized lead can not have a diameter superior 2,70 mm (N°6).

Only cartridges with 28 grams lead shot load will be used in every competition applying the FITASC Helice rules. The management will be able to verify the composition of cartridges and all infringement will be sanctioned.

ARTICLE 3.2

The shooter will have to stand on the shooting position and not outside, its feet will not have to exceed the line corresponding to its distance. The gun can be held in all position judged safe by the shooting manager, from the hunting position until the complete shouldering.

ARTICLE 3.3

The shooter will have to load his gun only on the shooting position, the barrel directed toward the side of boxes and only when the staff will return back to its place. He will have to unload his gun before turning himself toward the following shooter.

ARTICLE 3.4

If the shooter is disturbed by a competitor or a spectator, the shooting manager will be able to authorize him to shoot another helice.

ARTICLE 3.5

The helices must be shot in accordance with the order of ranges set by the jury. Any helice shot not in accordance with this order will be counted "zero".

Shooters must succeed each other on the shooting position without interruption, dressed up with decent clothing and provided with the required chips and cartridges. Shooters that will not reply to the call of their name (three calls) will have a "zero".

Nevertheless, this zero will be acquired only at accurate moment when the next shooter will have walked on the shooting stand.

ARTICLE 3.6

If a shooter shoots before its tour, it will get a "NO BIRD" if it breaks, and a zero if he misses the helice.

ARTICLE 3.7

As soon as the shooter will have loaded its gun, the « pulleur » will start the machines. The shooter will have to tell « ready » and the pulleur will answer « ready ». This is only when the pulleur will have answered « ready » that the shooter will be able to order "PULL". Then the helice must be thrown instantaneously.

- If the shooter fires unintentionally before to order "PULL", he will get a "NO BIRD" and he will have to pay its new helice.
- If the helice is thrown before the shooter order "PULL", he may refuse to shoot this helice. However if he shoots this helice, the result will be recorded.

ARTICLE 3.8

To be considered as "good", the white part of the helice has to come off and fall in enclosed area. If this part bounced outside, the helice is declared "GOOD".

ARTICLE 3.9

The two shots will have to be shot in the acceleration phase of the helice.

ARTICLE 3.10

The shooter will have the right to shoot another helice if its gun misfires by defect of percussion. After three misfires by defect of percussion, the result will be recorded zero.

If the misfire is due to an unloaded barrel or if the safety trigger is on, the result will be recorded zero.

ARTICLE 3.11

The shooter will not have to pay the helice declared "NO BIRD" if the no bird is caused by an helice defect or a machine malfunction.

ARTICLE 3.12

If the two shots leave together, the missed or broken helice is declared "no bird".

ARTICLE 3.13

If the first shot misfires by defect of percussion and if the shooter shoots its second shot, the helice is declared zero if it is missed.

In the event that a cartridge has not gone off or in the case of another malfunction of the gun or the cartridge, the shooter must remain at his stand, with the gun facing the shooting range, without opening it or touching the safety catch until the referee has checked the gun.

If the competitor in the case of a gun/cartridge malfunction, opens the gun him/herself or touches the safety catch, before the referee has checked the gun, the target(s) will be scored Zero.

ARTICLE 3.14

In the instance where the second shot misfired, the target has to be repeated. This time the first shot must be delivered towards the target as soon as the helice appears with the intention not to hit it. The throwing of this first target will be counted as "Zero." If the first shot towards this first target is delivered before the launching of the target, the result of the second shot will not be accounted for.

ARTICLE 3.15

To be declared good the white part of the helice have to be coming off at the first or the second shot, and falls inside the enclosed area.

ARTICLE 3.16

If the helice falls inside the enclosed area at the first shot with the white part not detached, the shooter is entitled to shoot another helice but only one cartridge.

If the shooter had enough time to shoot the second shot, the helice is declared "ZERO".

The shooter will have to pay his new helice.

The referee must indicate on the score sheet the number of helices broken with the white part not detached.

ARTICLE 3.17

Each time that an helice is broken inside the enclosed area, it is an obligation to pick up the white part of the helice.

Only the staff is authorized to pick up the white part fallen in the enclosed area.

ARTICLE 3.18

If several helices leave together, the shooter can abstain to shoot by raising its gun. If he shoots one helice and breaks it, it will be declared good, if he misses, it will be declared zero.

ARTICLE 3.19

For safety reasons, every helice shot outside of the diagonal flag line is declared zero. Besides, a fine set by the jury will be inflicted to the shooter.

ARTICLE 3.20

Any helice shot at a distance inferior to the imposed one, will be declared zero.